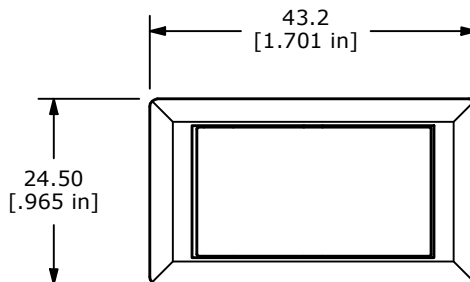
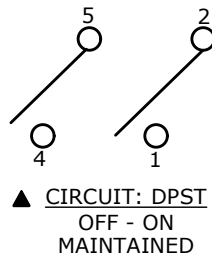


SUGGESTED PANEL CUTOUT

PANEL THICKNESS	(X) +.10mm/-0.00mm
1.5 - 2.0 mm	36.8 mm
2.0 - 3.0 mm	37.2 mm
3.0 - 4.0 mm	37.5 mm

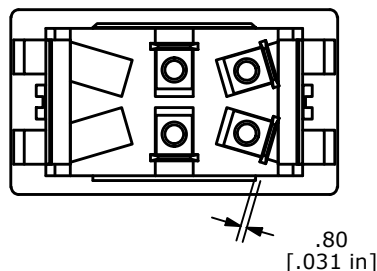
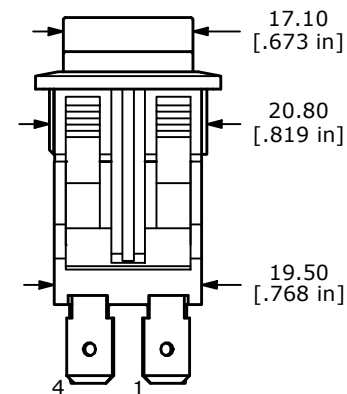
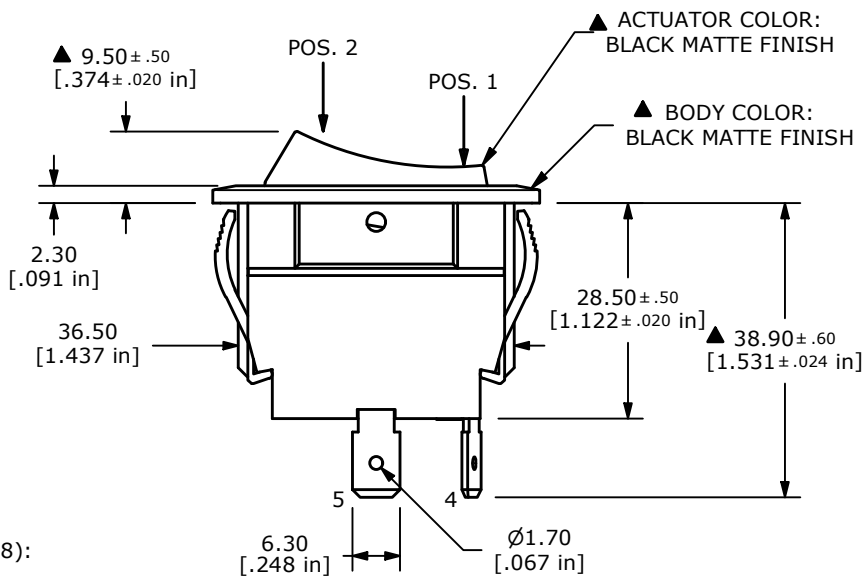


SWITCH FUNCTION	
POS. 2	POS. 1
ON	OFF
2-1, 5-4	OPEN



NOTES:

1. ALL DIMENSIONS IN MM [INCH]
2. GENERAL TOLERANCE: X.X±0.5
X.XX±0.3
- ▲ 3. RATINGS: ANSI/UL 508 AND CAN/CSA C22.2 NO.14 (E195908):
20A, 125VAC [cURus]
15A, 277VAC [cURus]
2HP, 110/250VAC [cURus]
4. CONTACT RESISTANCE: 50 mΩ MAX. @ 50VAC
5. INSULATION RESISTANCE: 2 MΩ MIN. @ 500VDC
6. OPERATING TEMPERATURE: 0°C TO +55°C [cURus, CSA]
0°C TO +55°C [VDE]
7. ELECTRICAL LIFE: 6,000 CYCLES [cURus]
8. DIELECTRIC STRENGTH: 1,500V FOR 1 MINUTE
9. INGRESS PROTECTION: IP54
10. ▲ DENOTES CRITICAL PARAMETER



F	24654	UPDATED DIMENSIONS, CUTOUT, NOTES	3/15/21	JM
E	23346	update Pos. 3 to Pos. 2	5/3/18	MW
D	23001	CORRECTED SPECIFICATION	9/14/17	MJR
C	22499	UPDATED NOTES	5/11/17	MJR
REV	PCR NO	DESCRIPTION	DATE	BY



TITLE RVW42D1100				
SCALE 1:1	DATE 8/6/2009	DR CAB	DWG 34-RVW42D1100	REV F

THE INFORMATION CONTAINED IN THIS DOCUMENT IS PROPRIETARY TO E-SWITCH AND IS NOT TO BE COPIED OR TRANSFERRED